

THE BASICS

WELCOME TO THE HC1

THE HAPPIER CAMPER

Delivering modern adventure and ground-breaking flexibility in an ultra-light package, the HC1 is the result of a lifetime of enthusiasm and years of careful design. Each camper comes standard with a huge rear hatch, wide entry door, classic fenders, modular floor grid, and large panoramic windows. The HC1 is completely handcrafted and is built to last for generations.

AN INNOVATIVE MODULAR SYSTEM

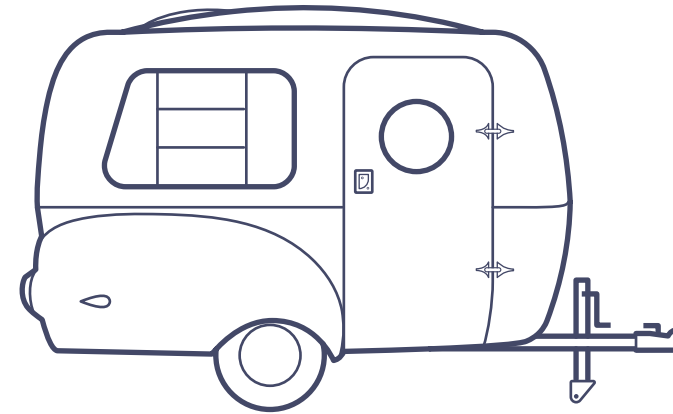
Our highly flexible Adaptiv™ modular interior system allows you to easily customize your trailer on-the-fly, to suit a variety of needs. From camping, to hauling, to guest quarters, create the layout you want in just minutes. Configuring and reconfiguring is a snap, and the possibilities are near limitless.

QUALITY CONSTRUCTION

The HC1 is made with 100% fiberglass double hull handmade shells, honeycomb fiberglass floor grid, custom hardware, and custom durable components. Fiberglass exhibits less expansion and contraction due to heat or cold than alternative materials, is chemically inert, flexible, and has a very high strength-to-weight ratio.

WHAT'S INCLUDED

The HC1 comes with these items



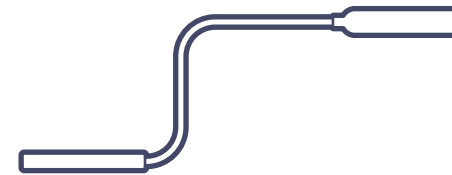
HC1 CAMPER



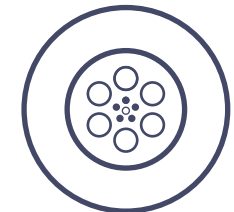
CAMPER KEYS



PAPERWORK +
WARRANTY CARD

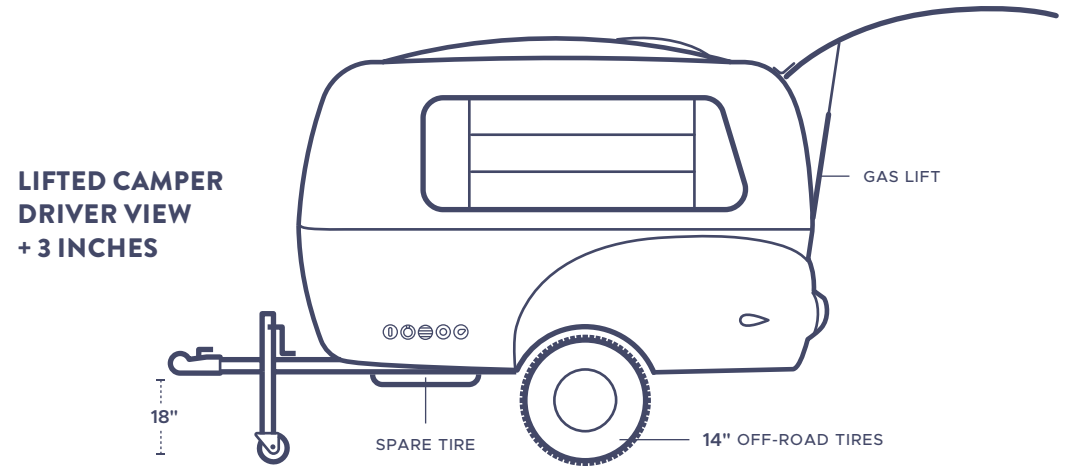
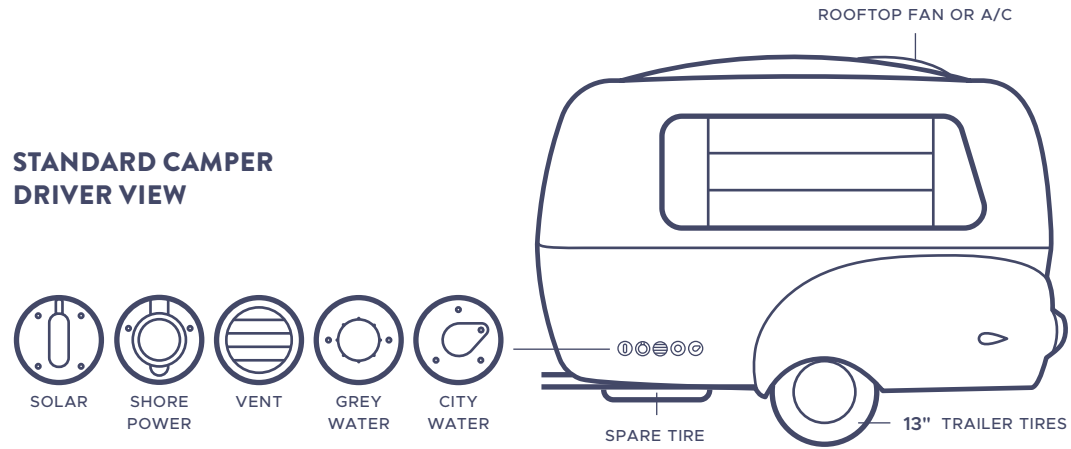
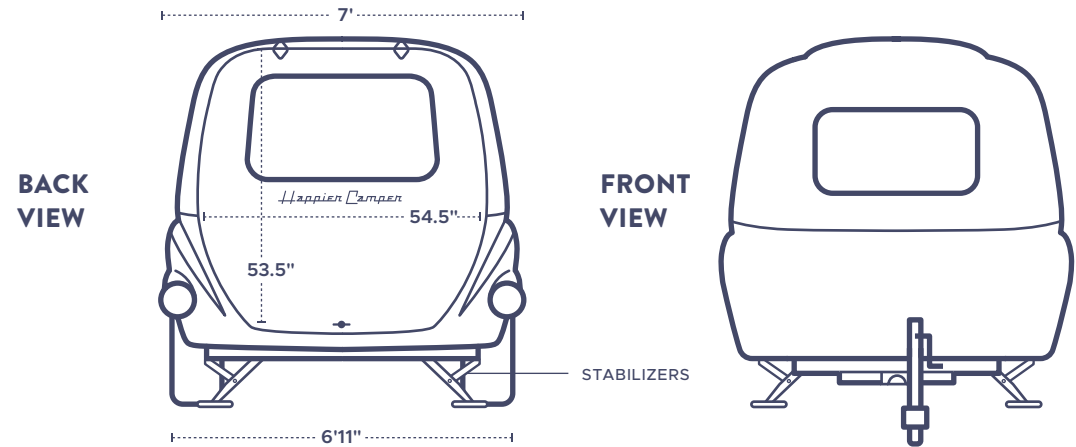
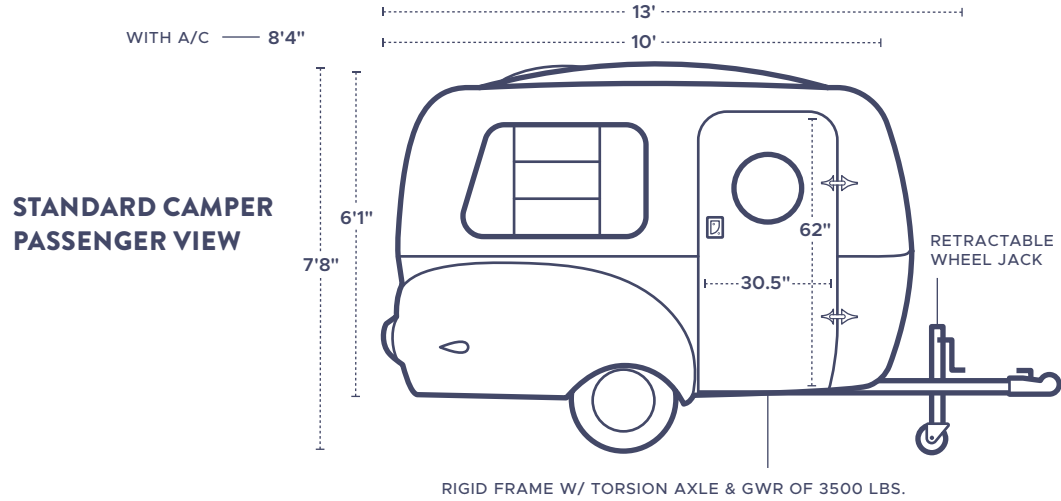


STABILIZER KEY

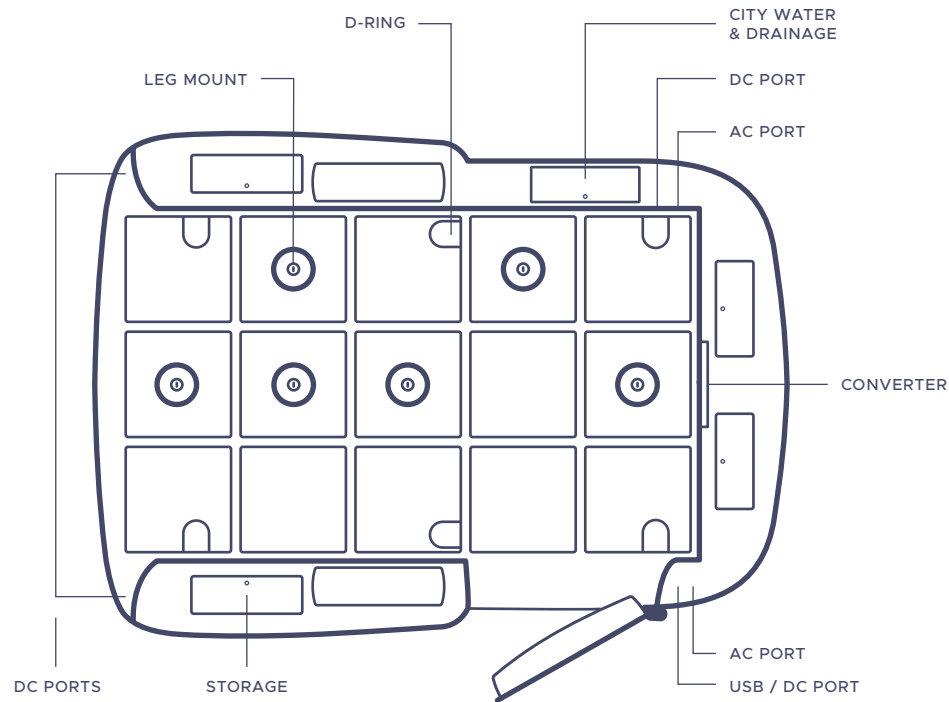


SPARE TIRE

CAMPER SPECIFICATIONS



CAMPER FLOOR PLAN



The modular floor of the HC1 is made of 1.5" thick honeycomb fiberglass. Grooves are embedded in the floor to hold the Adaptiv™ cube components in place — just like Lego®. The surrounding benches are permanent, providing a 42 sq ft walkable space and a total of 72 sq ft of space.

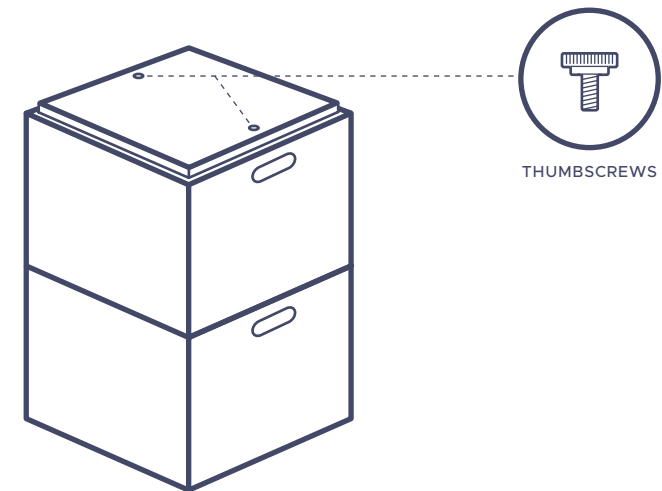
ADAPTIV™ SYSTEM

THE ADAPTIV™ INTERIOR

Create your own layout at any moment using our unique floor grid. The simply managed Adaptiv system is fully modular and can be changed instantly to suit your needs. Modular components are made from light-weight durable materials and can be easily rearranged, stacked, leaned, and used outdoors.

LOCKING DOWN THE ADAPTIV™ SYSTEM

Optional locking hardware is available as a factory install in order to more permanently attach the cubes to each other. This is particularly useful when securing the sink module to the other cubes. For additional information please contact us.



INTERIOR ADD-ONS

ADAPTIV™ KITCHENETTE

The kitchenette package includes water fixtures, stove top, and storage. It comes equipped with an electric water pump, a glass fold up sink, two extension fold up counter tops (one on either side), a five gallon water tank, “city water” hook ups, and utensil holder. The water tank functions via DC power. City water provides continuous pressurized water and requires a hook up site.

TO PREP KITCHEN FOR USE

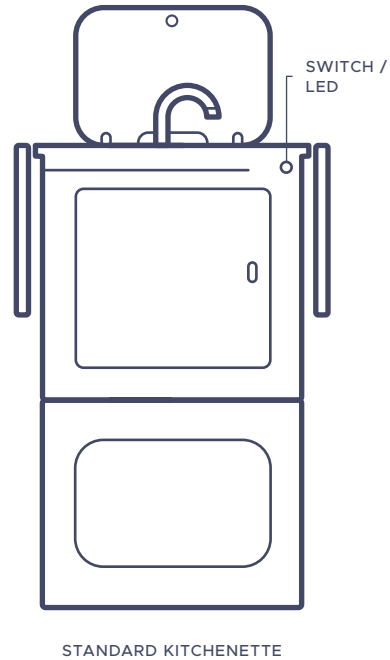
Set Adaptiv Kitchenette at front driver side interior

Use quick-connect function to attach fixtures to hoses. The drainage and city water fixtures are located inside the driver-side bench. The city water silver hose connects to the brass fitting and the plastic hose connects to the plastic drainage port (see pg 15).

Remove the drainage cap on the exterior of the camper on the driver’s side to allow gray water to drain from the sink basin when the sink is in use.

To power water pump plug male to male charger from kitchenette to DC power port in camper.

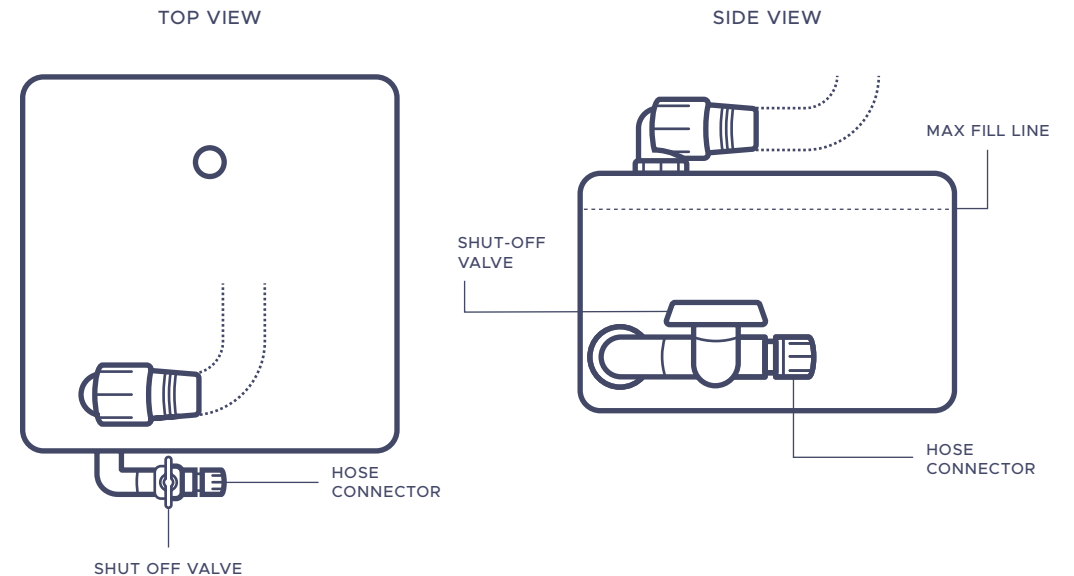
To cook al fresco, disconnect the fixtures and move the kitchenette outside. The DC ports near the rear power the kitchenette water to function.



FILLING THE WATER TANK

The water tank can be filled in two ways: **1.** Connect an external hose to fresh water inlet located on the back of the kitchenette (see pg 15). **2.** Connect external hose to the hose connector located on the water tank located inside the kitchenette cube. Open valve. Allow water to flow to the desired amount and then close valve.

Monitor the water level to avoid overfilling.





FILL THE WATER TANK WITH WATER FIRST BEFORE TURNING ON
DO NOT RUN THE WATER PUMP WITHOUT WATER

SINK INSTRUCTIONS

Ensure the power cord is connected to the DC power ports. Flip the power switch located on the front of the kitchenette, to the “on” position. The LED indicator will light up. The water pump will start making a humming sound, which means it’s running.

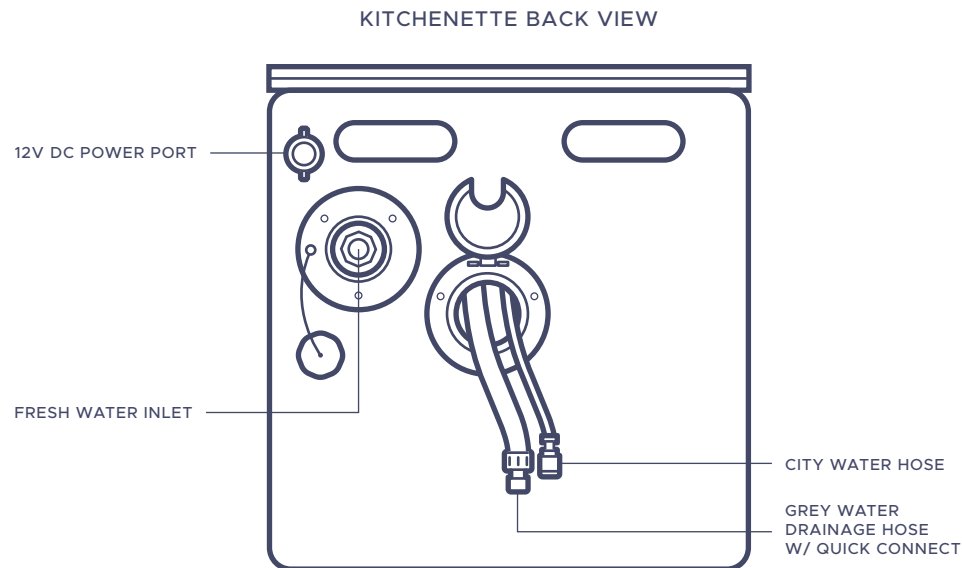
Lift up the glass protection lid on your sink and lift the faucet head to the upright position. Your sink is now ready to use. Let the water run for a few minutes to ensure all the air is out of the lines.

Your camper only runs cold water, as the kitchenette does not come equipped with a hot water heater. The blue marking on the faucet represents the water tank usage and the red marking represents the city water usage.

EMPTYING THE WATER TANK

Ensure the fixtures and hoses are connected. Remove the drainage cap on the exterior of the camper on the driver’s side. Turn the faucet knob to the blue marking, which will switch the faucet to waker tank usage, allowing the water to empty the tank via the sink basin and exit out the exterior driver side port when in use.

When using your kitchenette outdoors, leave the drainage hose extended from the back, and allow the water to drain to the ground or desired container during use.

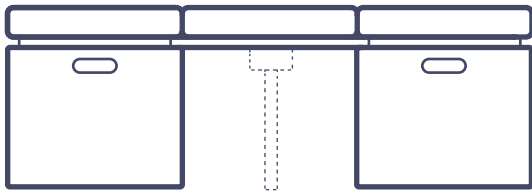


ADAPTIV™ NESTING TABLE TOP

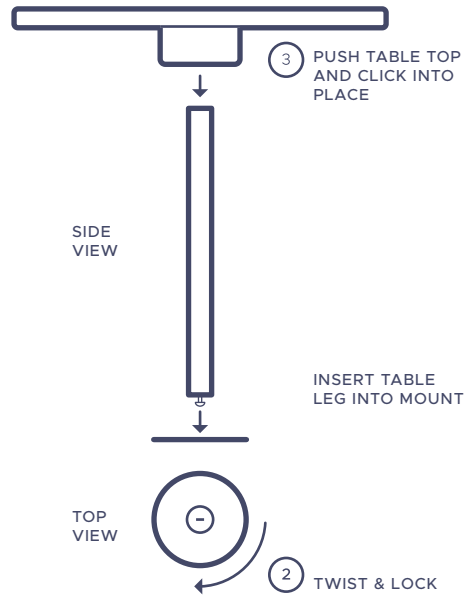
This package comes with a table leg, a table top, and hardware. Ensure the tab at the bottom of the table leg is twisted all the way up before inserting into the silver leg mount. Once inserted into the groove of the silver leg mount, twist clockwise to tighten the table leg into place.

Once tightened, take the table top and align the table mount (located under the table top) with the table leg. Gently, push the table onto the table leg to allow the table to click into place. Reverse these steps to disassemble.

There are up to 6 possible leg mount positions (see pg 10).

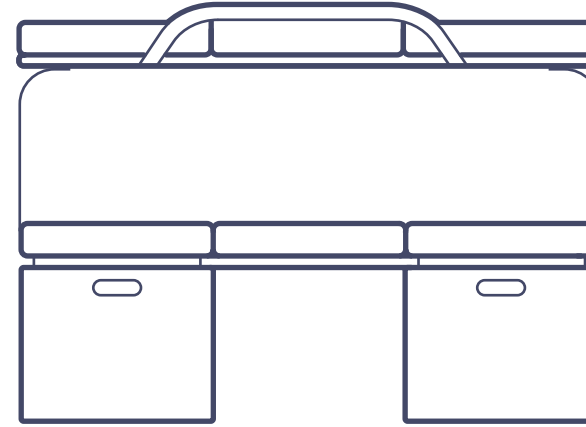


The table top can also serve as a connecting point between Adaptiv cubes. Simply set the cubes in the desired position and slide the table top between them. You can set a bed or a sitting area with this method.

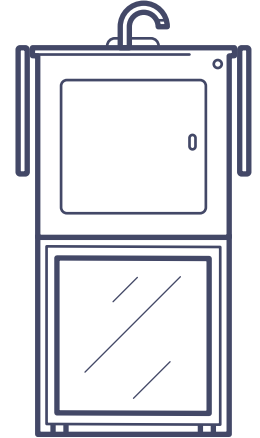


OPTIONAL INTERIOR ADD-ONS

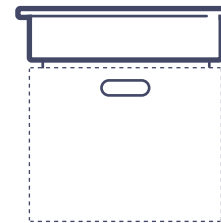
Here are a few options you can customize your camper with



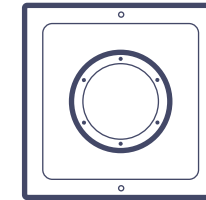
BUNK BED / COUCH



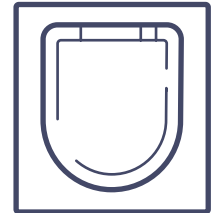
DELUXE KITCHENETTE
SINK + FRIDGE



COUNTER TOP LID



COOLER CUBE



TOILET

For all add-ons download the HC1 catalogue at happiercamper.com

POWER INFORMATION

The HC1 is equipped with 12-Volt DC (Direct Current) and shore power AC (Alternative Current) systems. The primary source of power is 12-Volt. It powers all components except the air conditioner and AC outlets. Shore power, or AC power, is electricity your HC1 receives when plugged into a campground electrical hookup, rather than from the trailer's battery. It will provide power to operate the air conditioner and AC ports for portable appliances such as coffee brewers, microwaves, blenders, etc.

OUTLET INFO

AC and DC ports are conveniently located throughout your HC1 (see pg 10).

POWER SYSTEM

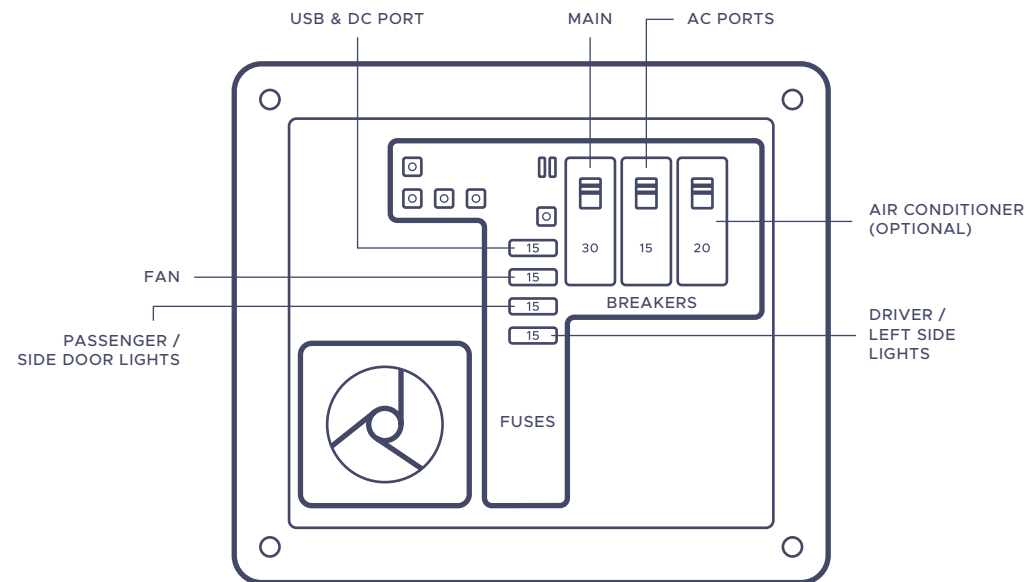
The converter acts as a main breaker panel for AC power. It also converts AC power to DC power acting as a battery charger as well as a battery supply. Even when completely empty of charge all DC components will function when plugged in to shore power. In addition the converter is a smart charger — it senses the capacity of the battery and regulates the charging rate.

The converter is protected against voltage spikes or reverse polarity by its onboard breakers and fuses. Breakers (AC power) are easily reset by toggling up and down once. And fuses (DC power) are replaceable. Fuses can be purchased at any auto parts store, and the breakers at any hardware store.

BATTERY

The HC1 is equipped with an AGM battery. It handles discharging and charging efficiently.

THE CONVERTER PANEL



 FLOOR DRAINAGE IS DIRECTLY BELOW — KEEP WATER AWAY FROM UNIT

KEEP COOL

FAN

Turn on using the power button located on the fan unit.

Use the speed control buttons to increase and decrease air flow.

Use the “reverse” button to select air flow (exhaust or intake).

To open and close the vent, turn the black knob on the ceiling unit (pull to unlock prior to turning).The fan will still operate with the lid closed.

AIR CONDITIONER

The rooftop Air Conditioner has a high BTU and wattage rating. It will only operate when plugged into shore power or while using a supported generator. (Ensure generator can support the appliance’s power output).

*For detailed operating instructions please refer to the manufacturer’s manual.

GET COZY

HEATER

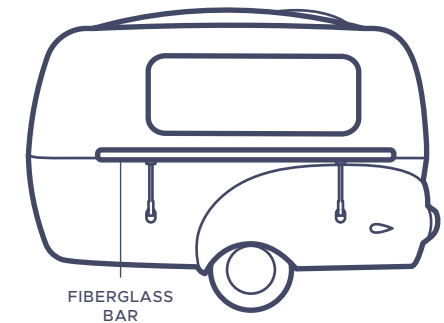
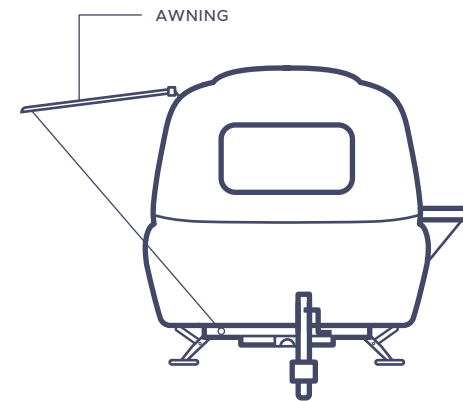
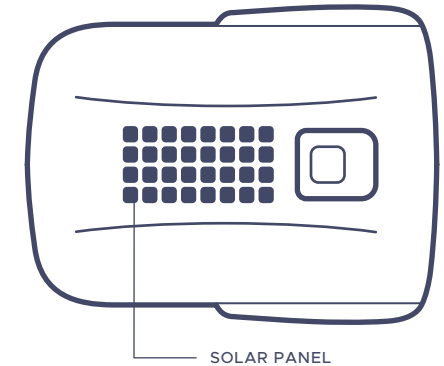
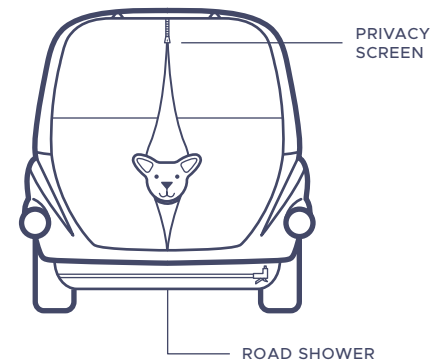
The optional add-on heater is compact and lightweight. It runs off battery power and uses propane gas to generate heat. The interior space heats quickly and contains an insulation R value of 10.

*For detailed operating instructions please refer to the manufacturer’s manual.



EXTERIOR ADD-ONS

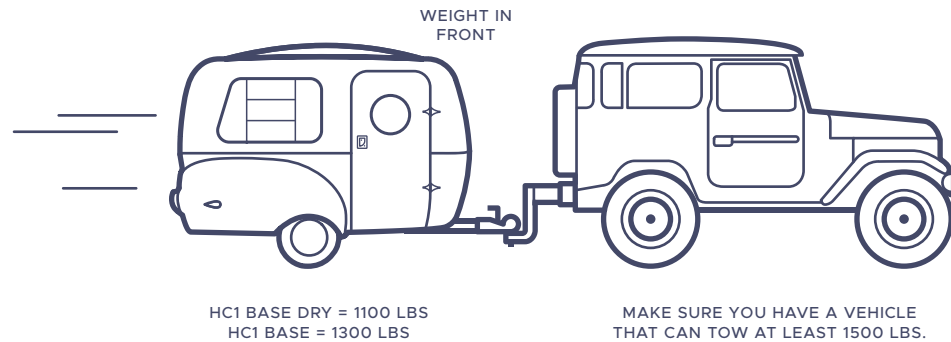
Here are a few options you can customize your camper with



For all add-ons download the HC1 catalogue at happiercamper.com

HIT THE ROAD

VEHICLE REQUIREMENTS



FLIGHT CHECK

STEP 1

Ensure modular components are securely in place and secure any loose items in your camper to avoid damage.

STEP 2

Remove/pack-up any exterior components prior to towing.

STEP 3

Check and tighten hardware.

STEP 4

Ensure your trailer is properly connected to your vehicle prior to towing.

STEP 5

Ensure the connecting ball is securely locked into the hitch tongue.

STEP 6

Ensure the wheel jack is stowed in the up position prior to travel.

STEP 7

Ensure the safety chains and e-brake cable are securely attached.

STEP 8

Ensure the tab handle on the receiver is in the down position and the pin is inserted.

STEP 9

Check to make sure there are no passengers inside the camper before driving. Safety first.

STEP 10

Ensure your side door, rear hatch, roof fan and windows are closed and locked prior to towing.

STEP 11

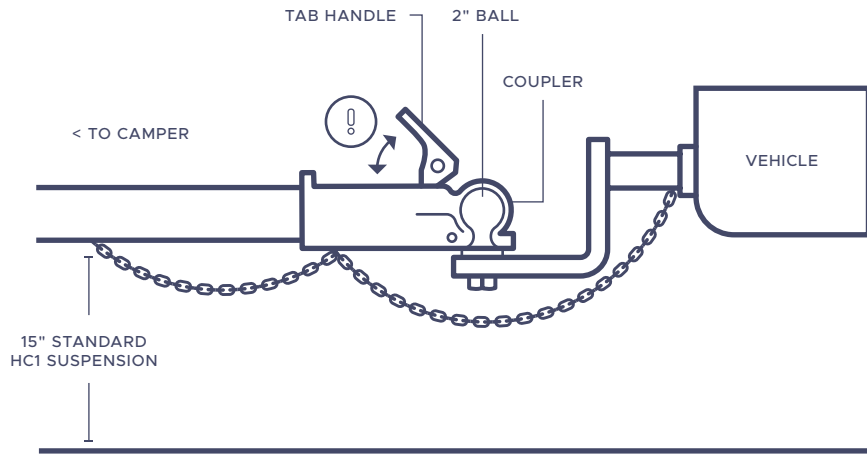
Ensure the stabilizer jacks are locked in the up position prior to towing.

STEP 12

Check that all running lights are working properly before you drive.

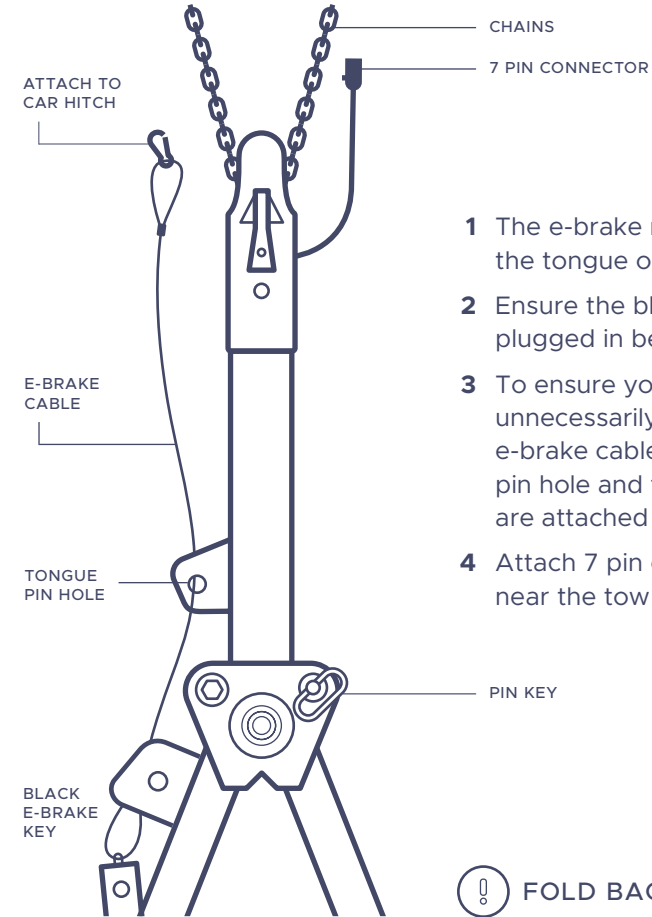
TOWING INSTRUCTIONS

- 1 After camper is raised and ready to be towed, position the coupler over the ball.
- 2 Lift the tab handle of the hitch upward.
- 3 Lower the wheel-jack so the ball fits into coupler.
- 4 After the ball is seated, push the handle back down (this will engage a locking tongue to hold ball in the coupler).
- 5 Lock by inserting pin through the tab handle. (Use a padlock instead of pin for extra security).



 ALWAYS DOUBLE CHECK THAT THE TAB HANDLE IS DOWN

CHAINS & EMERGENCY BRAKE CABLE

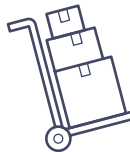
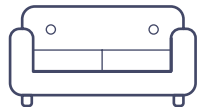
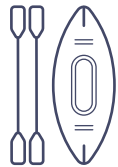
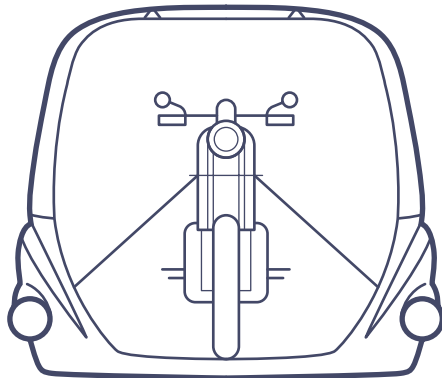


- 1 The e-brake mechanism is located just under the tongue on the driver side.
- 2 Ensure the black plastic e-brake "key" is plugged in before hauling your HC1.
- 3 To ensure your emergency brakes don't engage unnecessarily while in transit, make sure the e-brake cable is threaded through the tongue pin hole and that both the cable and the chains are attached to the car hitch before towing.
- 4 Attach 7 pin connector to inlet port located near the tow vehicle's hitch.

 FOLD BACK TONGUE AND HITCH LOCK

SECURING THE INSIDE

- 1 Ensure modular components are secured in place; use hardware when needed.
- 2 Do not open and close the hatch from the side as this may damage the gas lifts.
- 3 Exercise caution when opening hatch (items may have shifted around in transit).
- 4 Never block the exterior battery vent or interior converter.
- 5 Completely close all propane canisters when not in use.
- 6 Open your roof fan and / or windows for ventilation prior to cooking inside or sleeping. Close roof fan and windows tightly before driving.

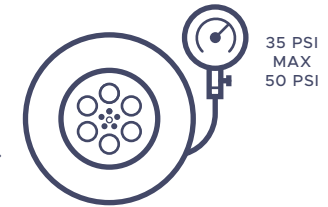


TRAILER TIRES

TIRES / AIR PRESSURE

Air pressure is the most important factor in determining tire life, and under-inflation is the number one cause of trailer tire failure. We recommend that you fill your trailer tires to 35 PSI. Periodically inspect both tires for tread wear and damage from road hazards.

- Do not use tire care products containing alcohol or petroleum distillates.
- Never tow your trailer if you notice any cuts, bulges, snags or punctures on the tires.
- Your trailer tires are 5-lug.



RECOMMENDED
TIRE PRESSURE

35 PSI
MAX
50 PSI



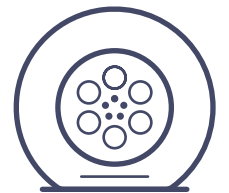
CHECK & TIGHTEN
LUGS IF NEEDED

HOW TO CHANGE A FLAT

 TOW YOUR TRAILER TO A SAFE AREA WITH PLENTY OF SPACE

- 1 Loosen the lugs.
- 2 Drop the nose of the trailer by cranking the wheel jack all the way down.
- 3 Flip out and extend the rear jacks as far as they can go.
- 4 Crank the wheel jack all the way UP.
- 5 Remove all the lugs and the flat tire.
- 6 Replace with the spare tire located under the frame on the front passenger side (undo the housing bolt first.)
- 7 Screw lugs into place tightly. Lower the jacks.
- 8 Tighten lugs one more time, now you're ready to go!

MAX STANDARD SIZE
ST175 / 80 R13

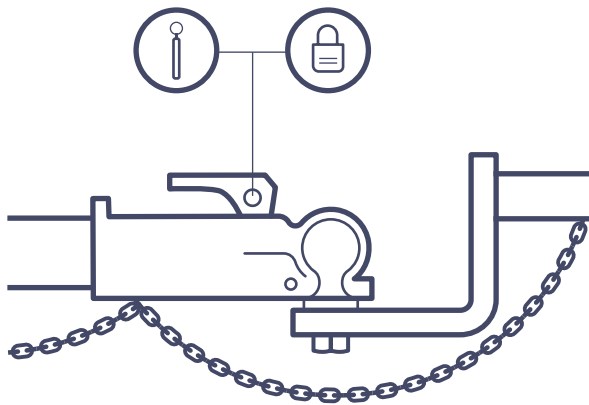


ONCE AT THE SITE

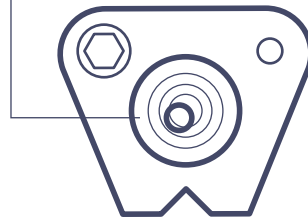
SECURING THE CAMPER

To help reduce the chance of theft make sure to pull the pin key from the tongue midpoint and place a heavy duty pad-lock. Store the pin inside your vehicle or place it in the swing back tongue receiver with the tongue in the fold-in position. You can also lock the tab handle with a padlock after unhitching your vehicle from the trailer.

Use the stabilizer key to manually lower stabilizers. The leveler on the tongue will indicate the trailer's stability (see below).



CENTER AIR
BUBBLE



KEEP YOUR CAMPER HAPPY

MAINTENANCE

MECHANICAL MAINTENANCE SHOULD ONLY BE PERFORMED BY A QUALIFIED MECHANIC. IF YOU DO NOT HAVE THE EXPERIENCE OR THE TOOLS TO SAFELY COMPLETE MAINTENANCE PROCEDURES, PLEASE CONTACT HAPPIER CAMPER. WE ASSUME NO LIABILITY FOR INJURIES OR DAMAGES INCURRED AS A RESULT OF IMPROPER, UNAUTHORIZED SERVICING.

CHECK THE FRAME

Occasional inspection of your frame is recommended. Look for these signs: welds, rust, or scratches. If found, first remove any rust, dirt, or grease and coat with enamel black touch up paint. It is important to note that during winter season salt may oxidize the frame if not cleaned promptly.

BRAKE INSPECTION

The brake linings and magnets are subject to wear and require inspection every 6,000 miles or annually. Replacement is necessary if the linings are worn (to within 1/16" or less), contaminated with grease or oil, or abnormally scored or gouged. It is important to replace all linings (both wheels) at the same time to maintain even braking action across the axle. Annually inspect the wires under the trailer and on the axle for broken insulation or faulty connections. Repair or replace as necessary.

A CLEAN CAMPER

FIBERGLASS MAINTENANCE

Fiberglass should be maintained on a regular basis. If the HC1 exposure to the elements is minimal, the fiberglass can be maintained about every 6 months.

If your HC1 is exposed to the elements constantly, regular maintenance should be done every 3 months. Without regular care and maintenance, fiberglass will begin to show signs of oxidizing in 4 to 12 months.

Choose a wax suitable for fiberglass, like ProtectAll™. This particular product has the advantage of combining polish, wax, and UV protectant. Be sure to follow the application instructions to get the best results.



UPHOLSTERY CARE

The trailer's cushions are upholstered with marine-grade, UV-resistant Sunbrella™ fabric. Simply unzip the cushion covers and machine-wash gentle inside out with cold water. Lay flat to dry.

ADAPTIV™ CUBE CARE

All cubes can be cleaned with most soaps and water. *Greased Lightning* takes out tougher marks.

FLOOR PANEL CARE

To wash the floor panels, simply scrub with soapy water and a nylon brush and rinse off with a hose. Let them air dry completely before stacking.

FINAL TIPS

CRITTER-PROOF YOUR CAMPSITE

To minimize the chance of encountering bears, raccoons, and other critters at your campsite, pack food in odor proof bags or containers, use air tight bags for trash / leftovers, wash cookware and utensils immediately after use, and keep your food / garbage in a bear-proof box or properly hang it out of reach and away from your sleeping area.

PUTTING OUT THE CAMPFIRE

Before bed and before leaving your site remember to properly extinguish your campfire. Fully extinguish your camp fire by dumping water onto it or smothering it with dirt / sand. Scrape at the charred remains with a stick or shovel to ensure that no embers are still burning and check that the remains are no longer giving off any heat.



LEAVE NO TRACE

Leave your site as clean or cleaner than you found it. Anything you bring in you should take out with you.

OUTDOOR PROTECTION

Stay hydrated, use sunscreen, and pack warm / waterproof layers.

AVOID LIGHT POLLUTION

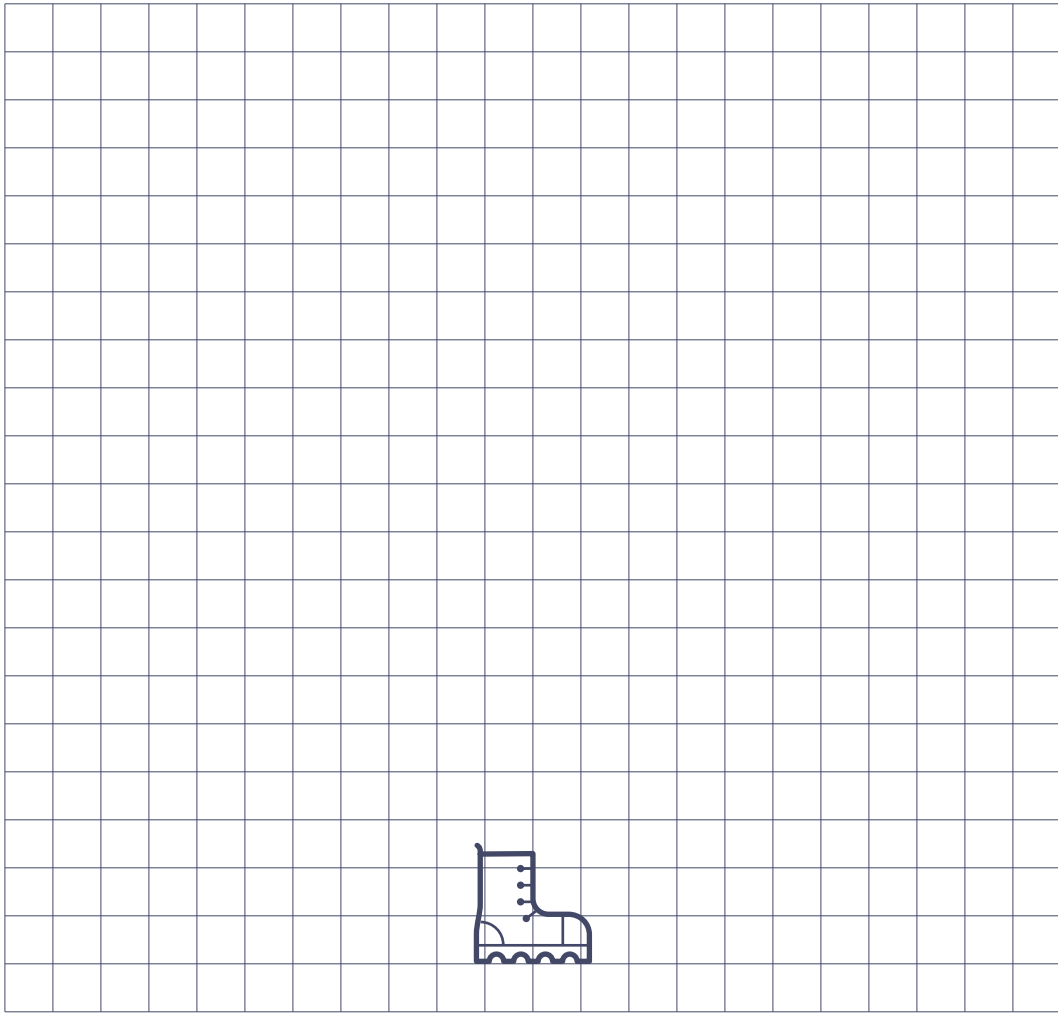
Night time is for the stars, don't leave lights on all night.

UNPLUG, UNWIND

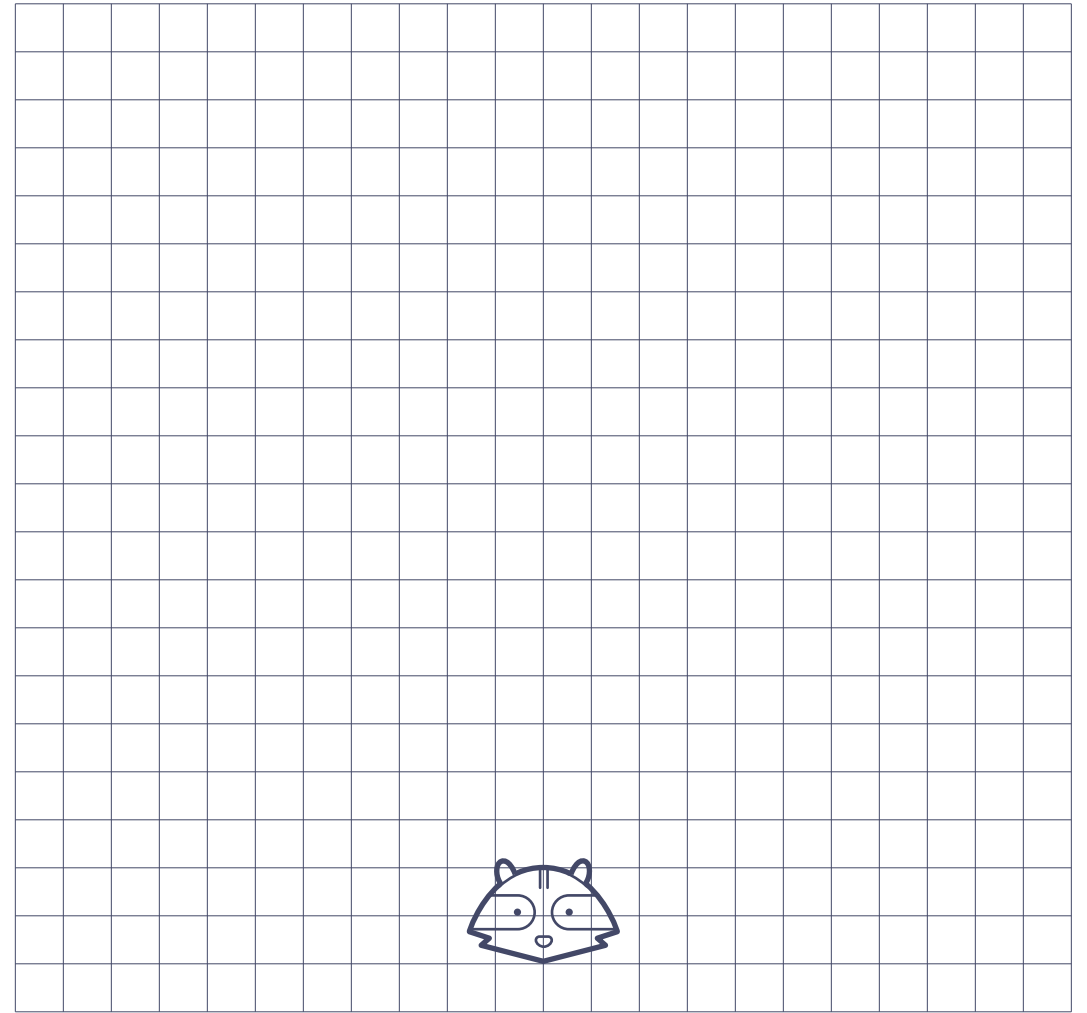
Enjoy nature. Ditch your phones and do a little digital detoxing.



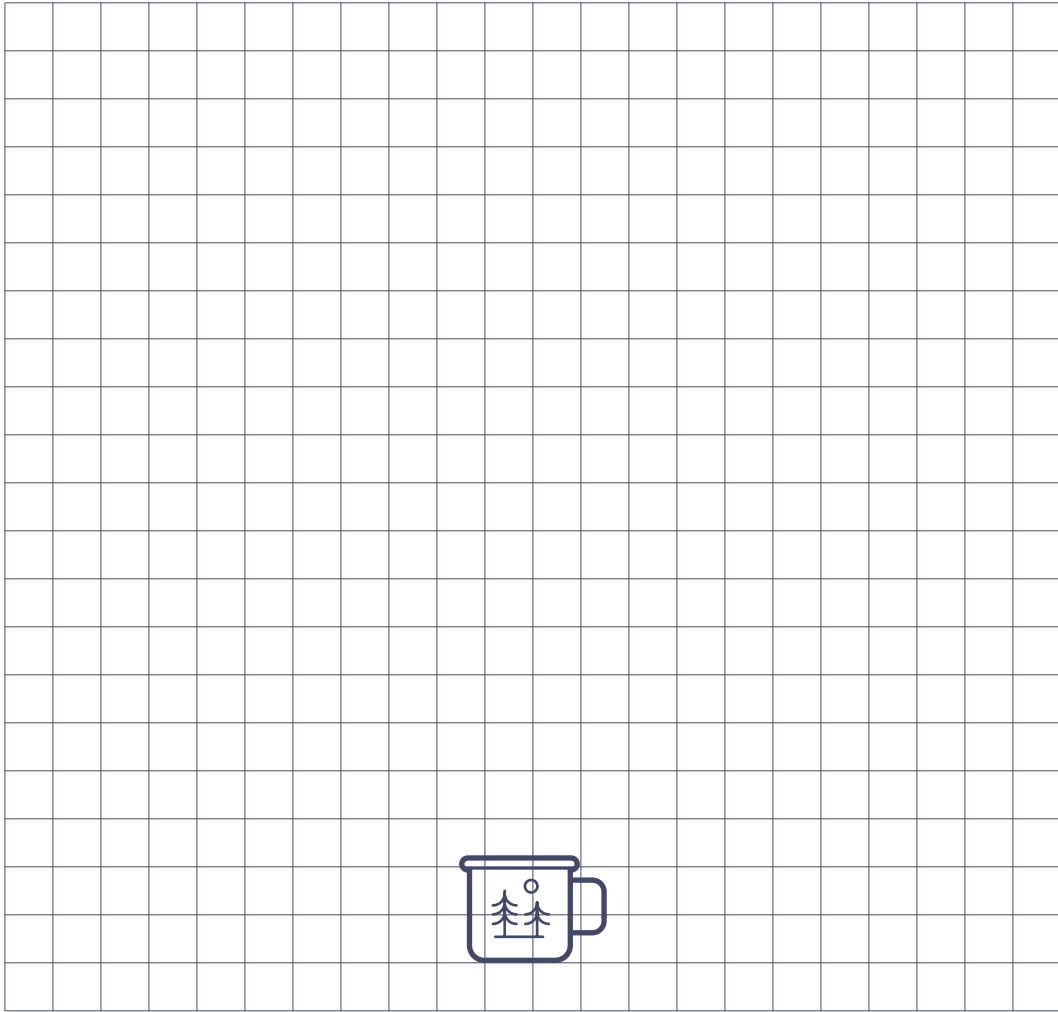
NOTES + SKETCHES



NOTES + SKETCHES



NOTES + SKETCHES



NOTES + SKETCHES

